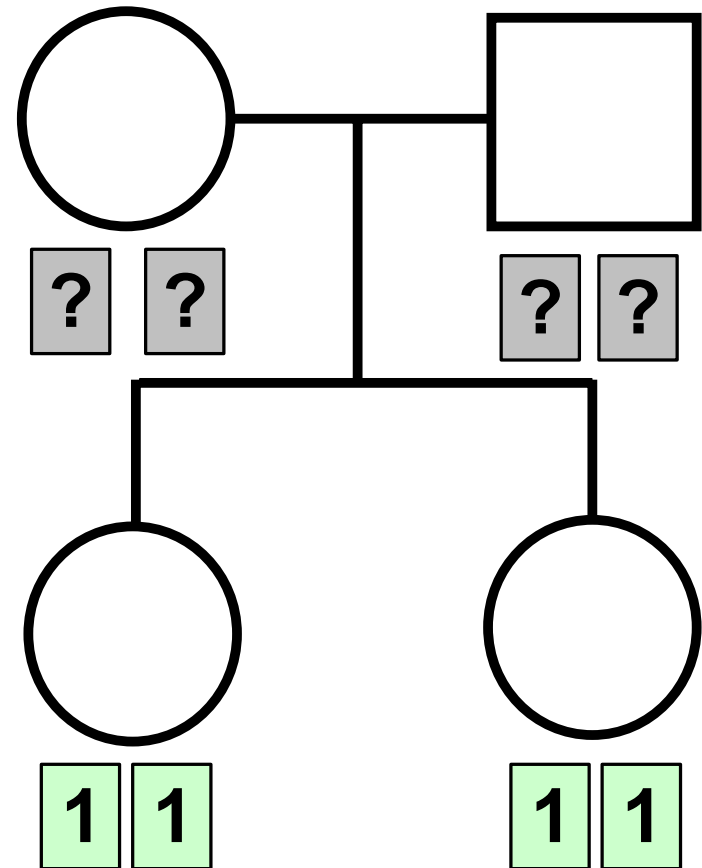


Haplotyping in Families Practical

Gonçalo Abecasis

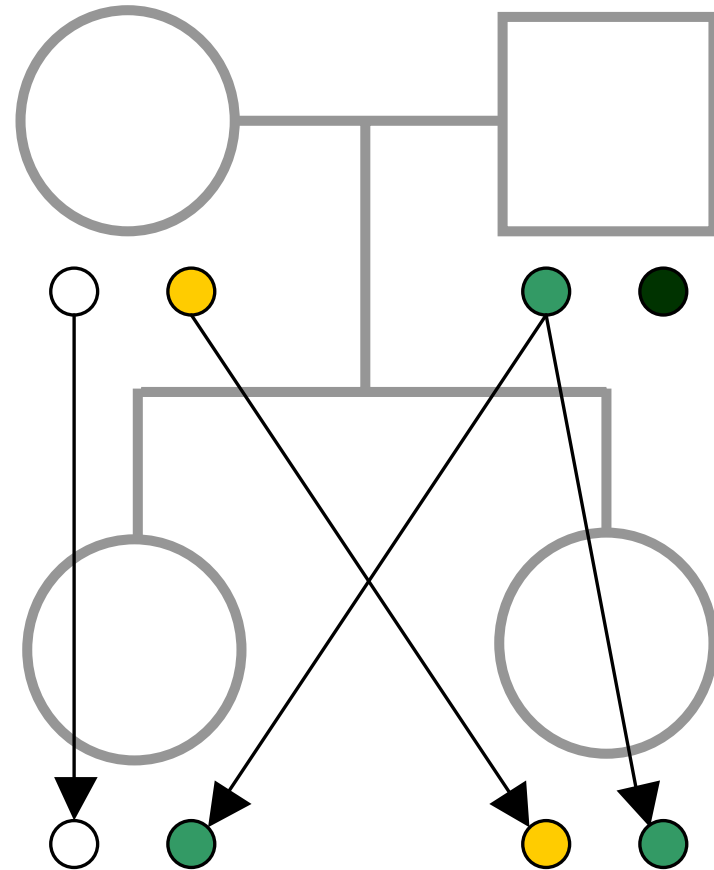
Observed Genotypes

- For each family
- For each marker
- Some pattern of observed genotypes



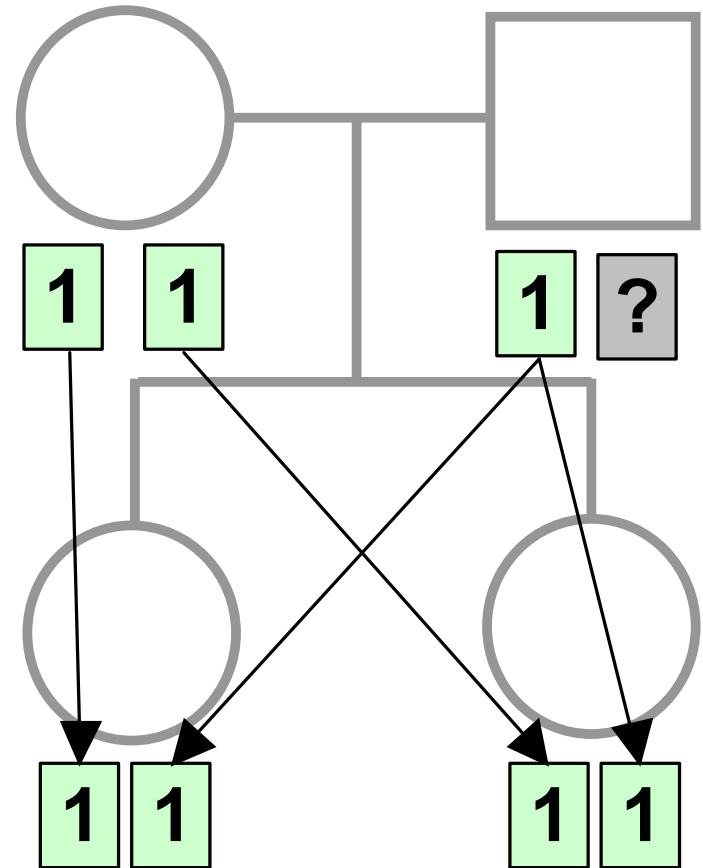
Gene flow pattern

- In turn, specify gene flow throughout the pedigree
- For each individual, we know precisely what founder allele they carry

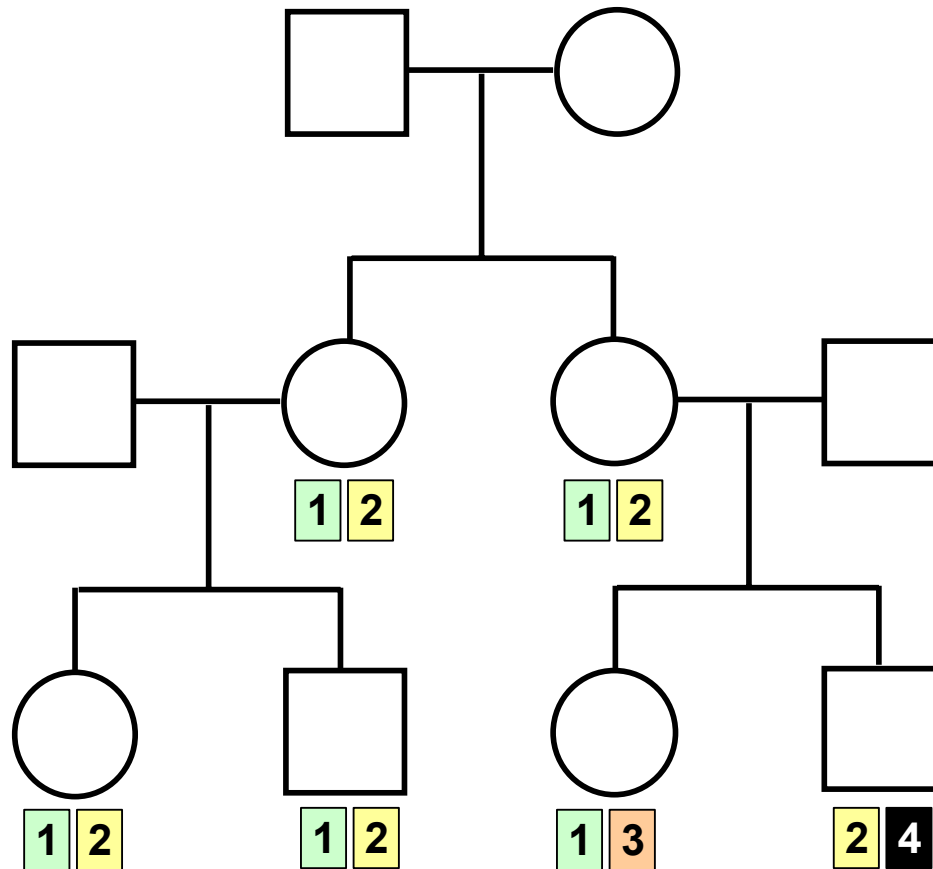


Combine the two...

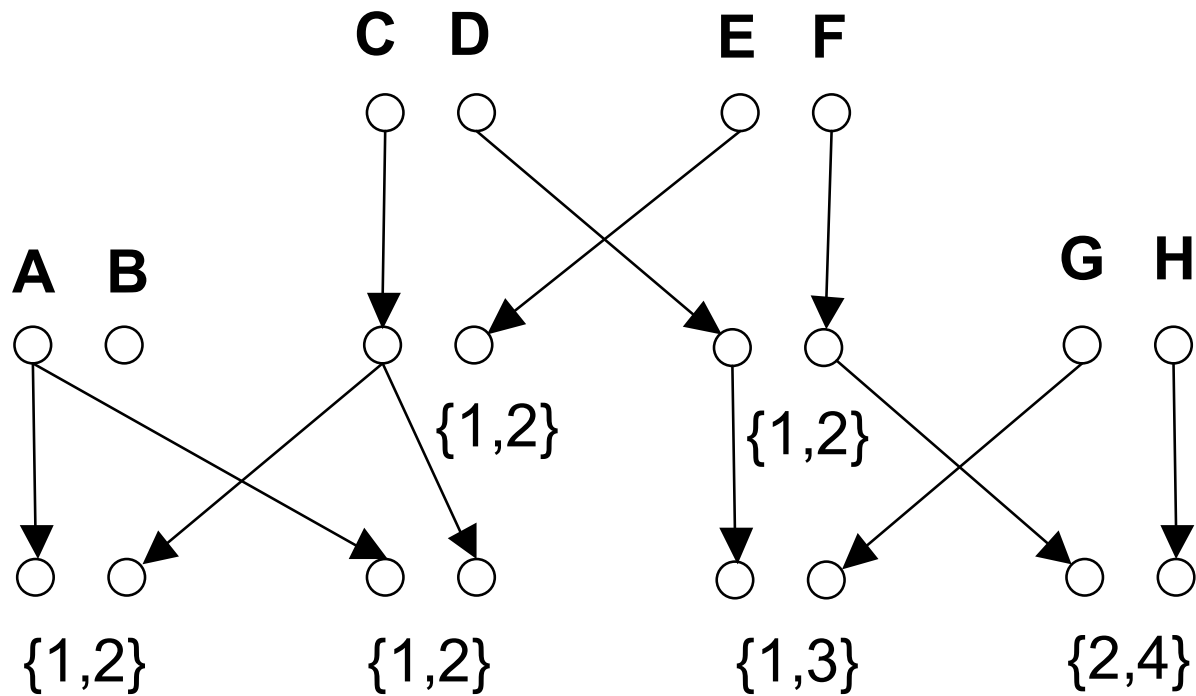
- Conditional on gene flow (aka, inheritance vector)
- In this case one founder allele set, $\{1, 1, 1, ?\}$
- Conditional likelihood
 - $P(\text{allele } 1)^3 P(\text{any allele})$



A more complex example



A more complex example ...



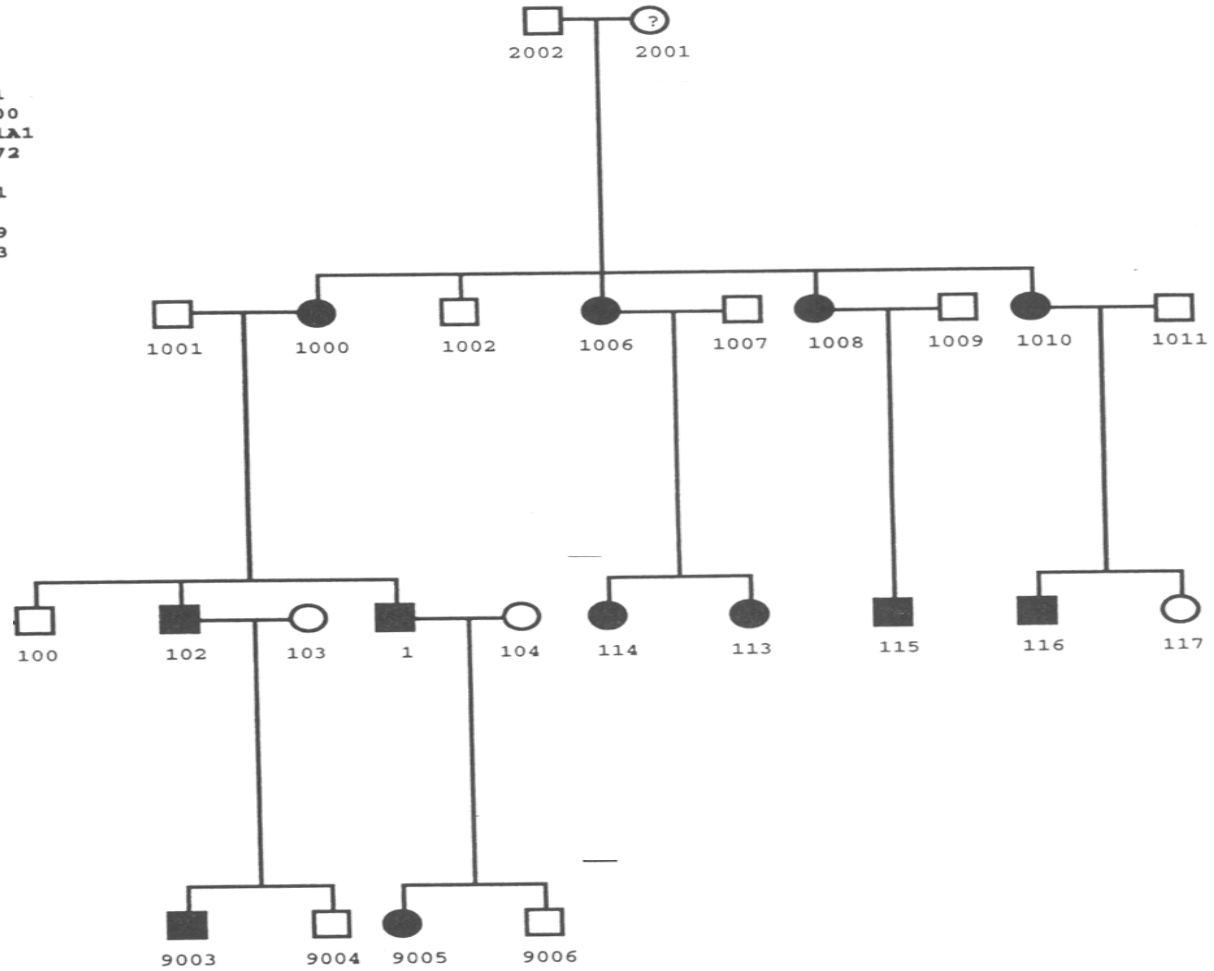
Founder Allele Graph II

- Possible groups of founder alleles
 - Any Allele Singleton
 - Passes only through untyped individuals
 - One Possible State For Each Allele
 - At least one allele passes through homozygotes or different heterozygotes
 - Two Possible States For Each Allele
 - All alleles pass through identical heterozygotes
 - Arbitrarily fixing one founder allele sets others

Possible founder allele states...

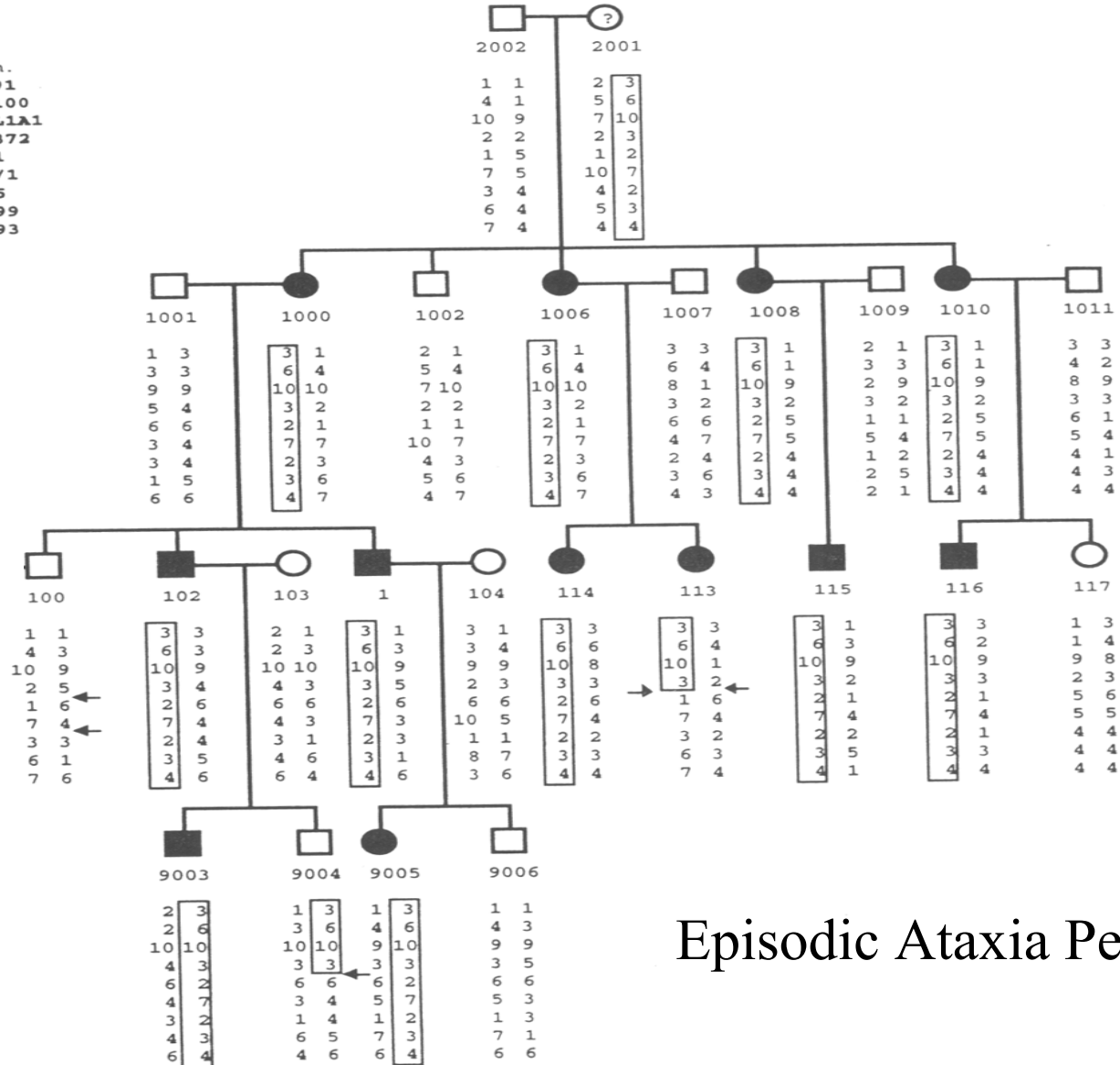
Founder Alleles in Group	Corresponding Allele States	Probability
(B)	(any allele)	1
(A,C,E)	(1,2,1) or (2,1,2)	$P(1)^2P(2)+P(2)P(1)^2$
(D,E,F,G)	(1,2,3,4)	$P(1)P(2)P(3)P(4)$

pterm.
D12S91
D12S100
CACNL1A1
D12S372
pY2/1
pY21/1
KCNA5
D12S99
D12S93
cen.



Episodic Ataxia Pedigree

pterm.
 D12S91
 D12S100
 CACNL1A1
 D12S372
 pY2/1
 pY21/1
 KCNA5
 D12S99
 D12S93
 cen.



Episodic Ataxia Pedigree